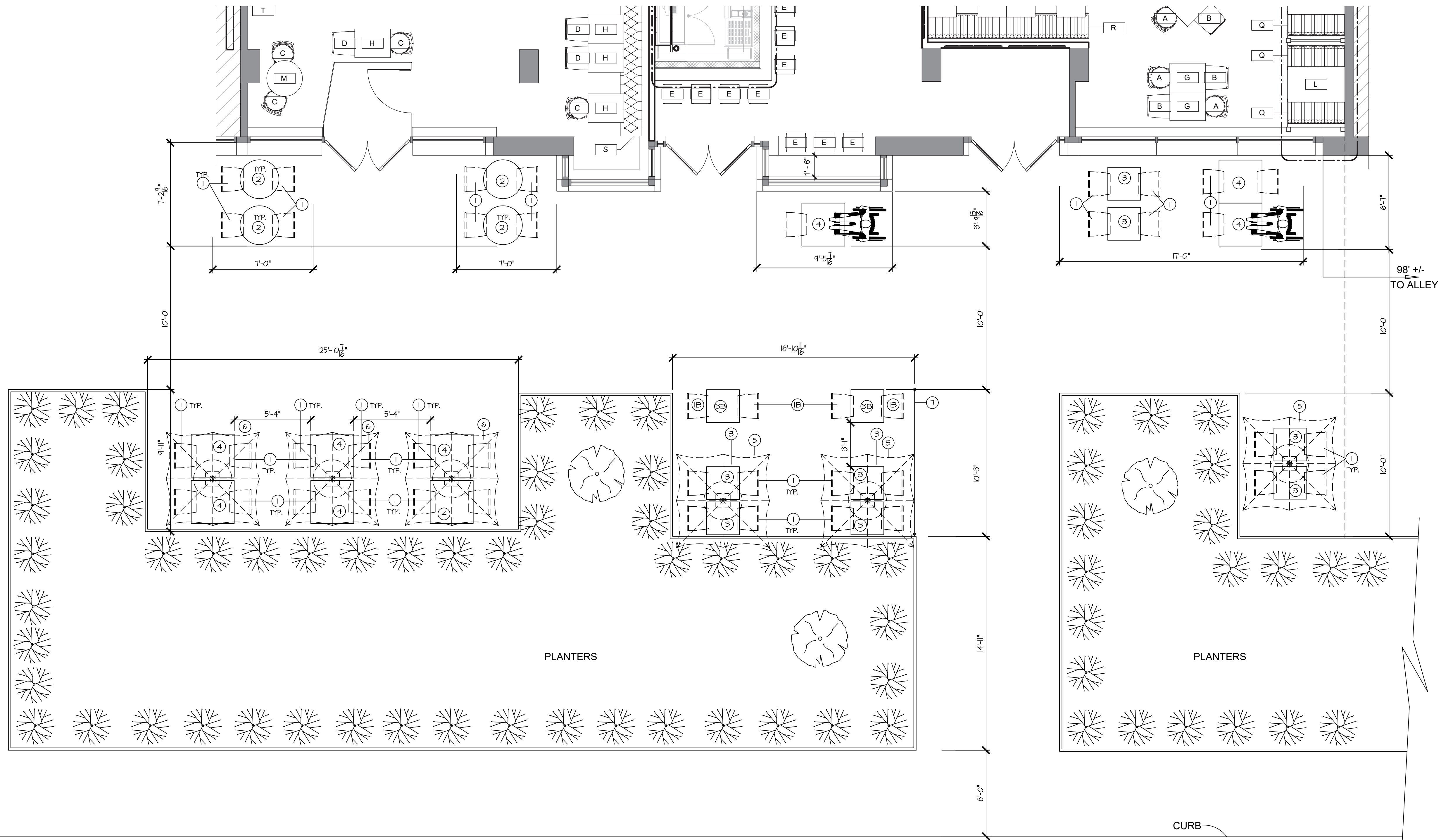


THESE DRAWINGS ARE THE PROPERTY OF ALAN SPARBER ARCHITECT. UNAUTHORIZED REPRODUCTION FOR ANY PURPOSE IS AN INFRINGEMENT UPON COPYRIGHT LAWS. VIOLATORS WILL BE SUBJECT TO PROSECUTION BY FULLEST EXTENT OF LAW.

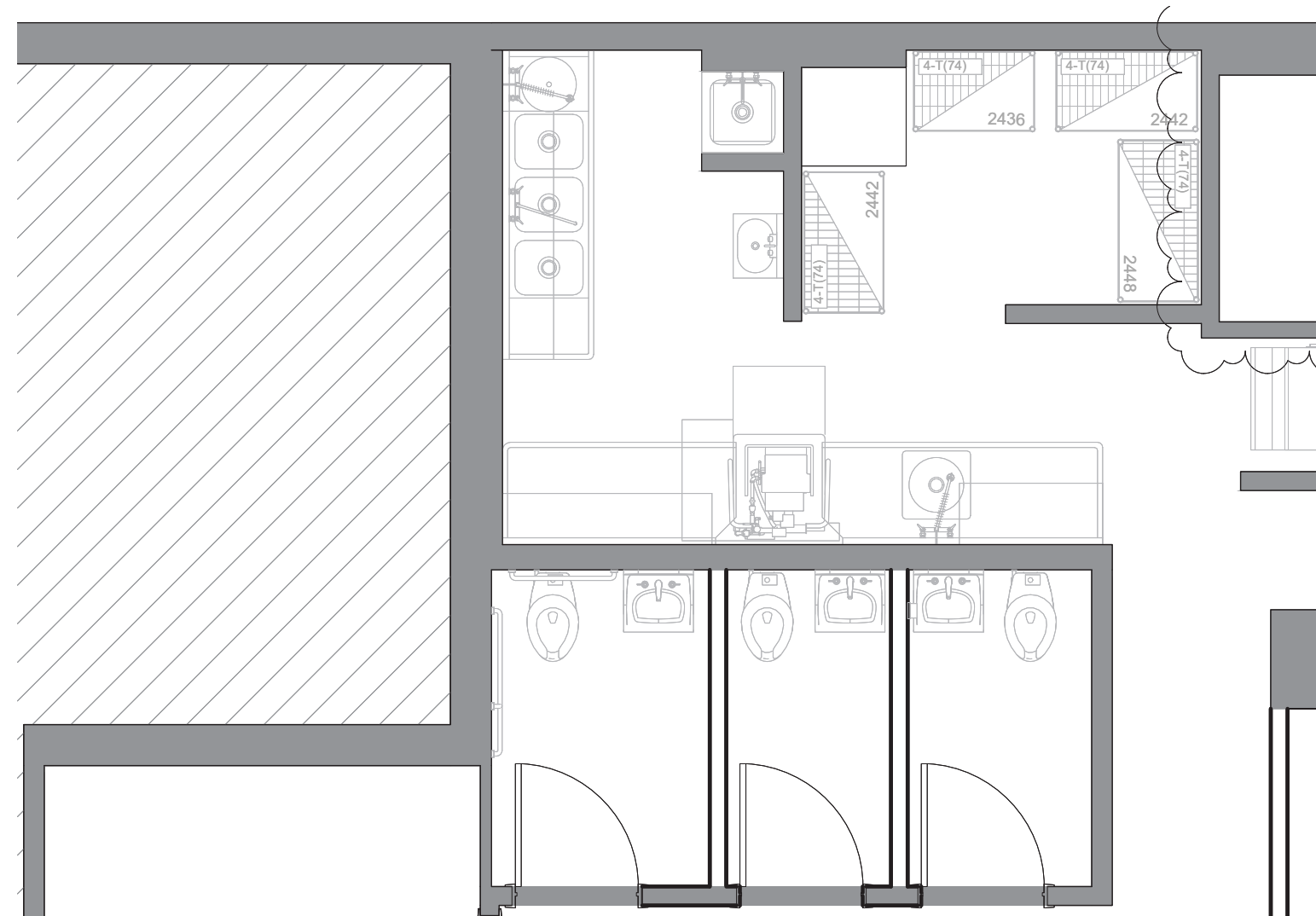
ALTA STRADA

NOTES



K STREET

1 PATIO SEATING PLAN
 SCALE: 1/4" = 1'-0"



2 PARTIAL TOILET ROOM PLANS
 SCALE: 1/4" = 1'-0"

FURNITURE SCHEDULE:

| ITEM | DESCRIPTION | QTY | MANUFACTURER | MODEL |
|-----------------|------------------------|-----|-------------------|-------------------------|
| CHAIRS | | | | |
| 1 | EX. CHAIR | 40 | | |
| 1B | NEW CHAIR | 4 | TO MATCH EXISTING | |
| TABLES | | | | |
| 2 | EX TABLE - 31-1/2" DIA | 4 | | |
| 3 | EX TABLE - 27-1/2" SQ | 8 | | |
| 3B | NEW TABLE - 27-1/2" SQ | 2 | | |
| 4 | EX TABLE - 36" SQ | 9 | | |
| UMBRELLA | | | | |
| 5 | EX. UMBRELLA - RED | 3 | | |
| 6 | EX. UMBRELLA - BLUE | 3 | | |
| RAILINGS | | | | |
| 7 | CUSTOM | 1 | CUSTOM | SEE DETAIL ON SHEET A-2 |

| EXISTING INTERIOR SEATING COUNT | |
|---|-----------|
| DINING | |
| TOTAL OCCUPANCY | 116 |
| OUTDOOR SEATING COUNT | |
| PROPOSED PATIO | 745 SQ FT |
| ADA SEATING | 2 |
| OUTDOOR SEATS | 44 |
| at 15 sq. ft. per person complies with code | |
| TOTAL SEATING COUNT W/ PATIO | 162 |
| TOTAL TOILETS | 3 |

SUBMITTALS

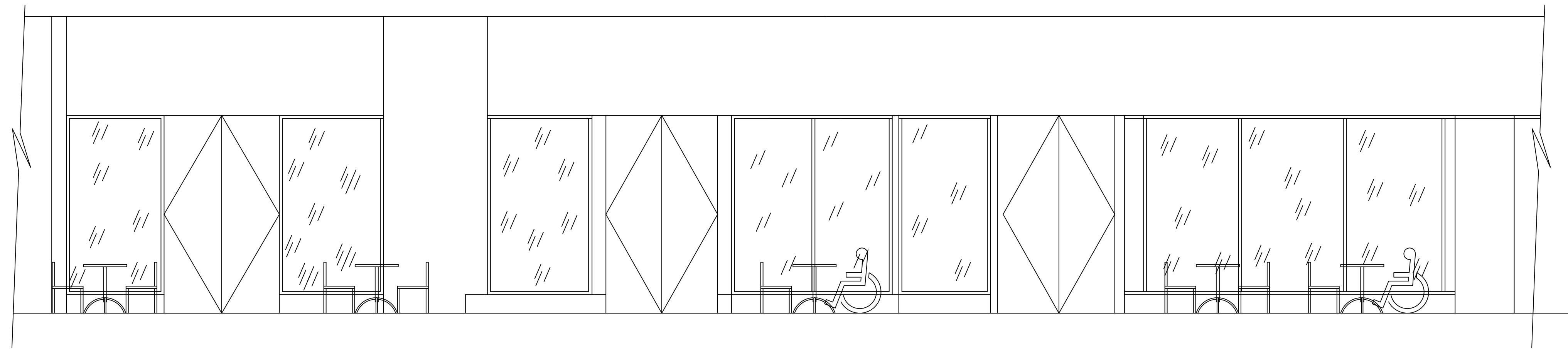
| | | |
|---|--------------------------|---------|
| 1 | ISSUED FOR TENANT REVIEW | 3-10-23 |
| 2 | REVISED PERMIT COMMENTS | 4-24-23 |
| | | |
| | | |
| | | |

ALTA STRADA
 465 K STREET NW
 WASHINGTON, D.C. 20001

OUTDOOR SEATING PLAN

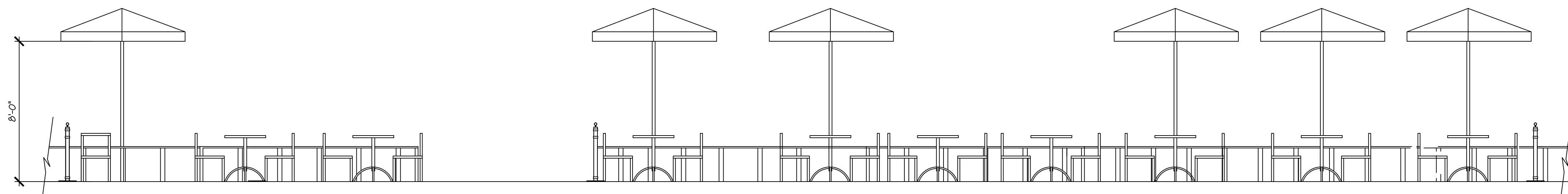
SCALE: AS NOTED
 PRJ. MANAGER: JOE SPINELLI
 PRJ. DESIGNER: CHRIS BRISCOE
 FILE:
 SHEET: OF
 PROJ. #: ALTA STRADA- PATIO

THESE DRAWINGS ARE THE PROPERTY OF ALAN SPANBER ARCHITECT. UNAUTHORIZED REPRODUCTION FOR ANY PURPOSE IS AN INFRINGEMENT UPON COPYRIGHT LAWS. VIOLATORS WILL BE SUBJECT TO PROSECUTION BY FULLEST EXTENT OF LAW.



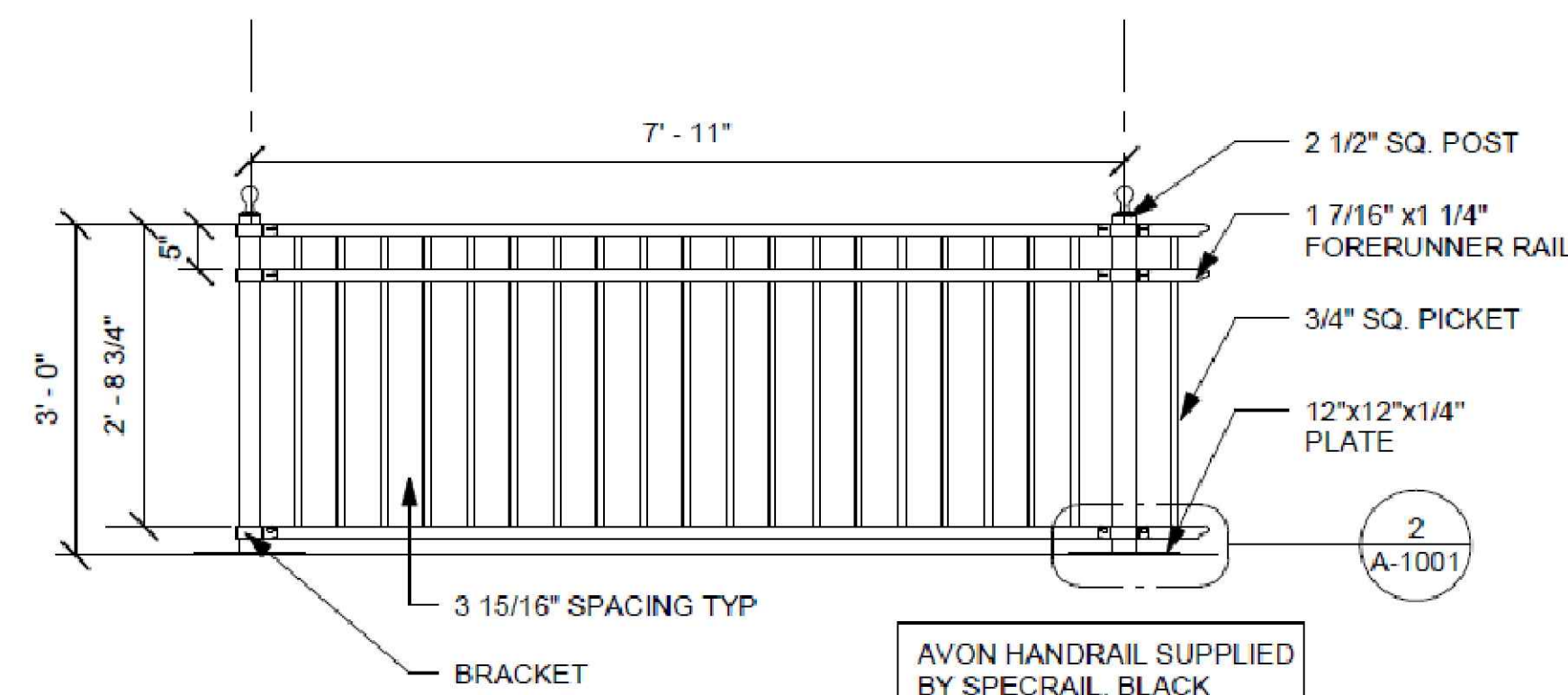
1 SEATING ELEVATION @ BUILDING

SCALE: 1/4"=1'-0"

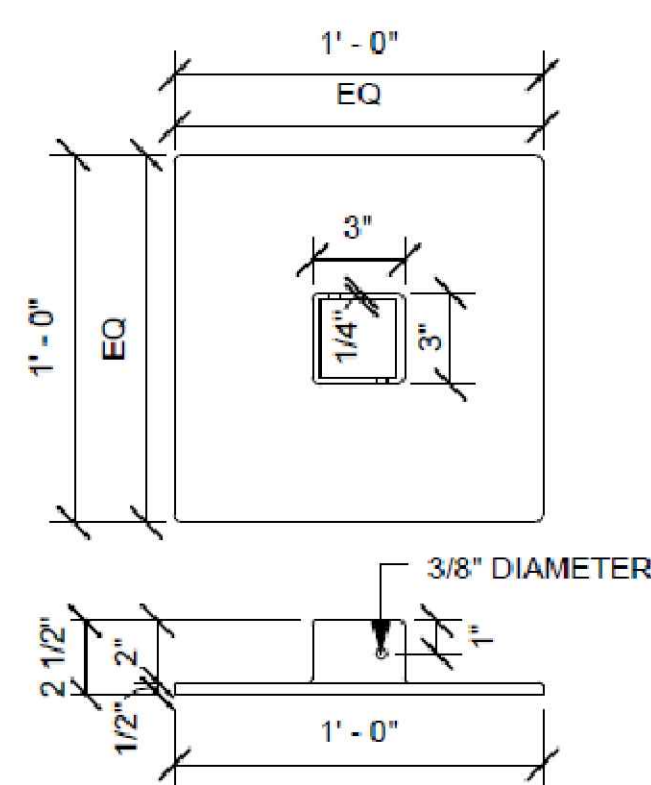


2 SEATING ELEVATION @ PLANTERS

SCALE: 1/4"=1'-0"



3 SITE RAILING
Scale: 1/2" = 1'-0"



2 SITE RAIL BASE PLATE
Scale: 1 1/2" = 1'-0"

3 RAILING DETAIL

Restaurant Consultants
Phone: 410-827-9002 / Fax: 410-827-9046
www.restconsultant.com

ALTA STRADA

NOTES

SUBMITTALS

| | | |
|---|--------------------------|---------|
| 1 | ISSUED FOR TENANT REVIEW | 3-10-23 |
| 2 | REVISED PERMIT COMMENTS | 4-24-23 |
| | | |
| | | |
| | | |

ALTA STRADA
465 K STREET NW
WASHINGTON, D.C. 20001

DETAILS

SCALE: AS NOTED
PRJ. MANAGER: JOE SPINELLI
PRJ. DESIGNER: CHRIS BRISCOE
FILE:
SHEET: OF
PROJ. #: ALTA STRADA- PATIO